

RG..R-ECblue

for three phase alternating current, 200-240 V

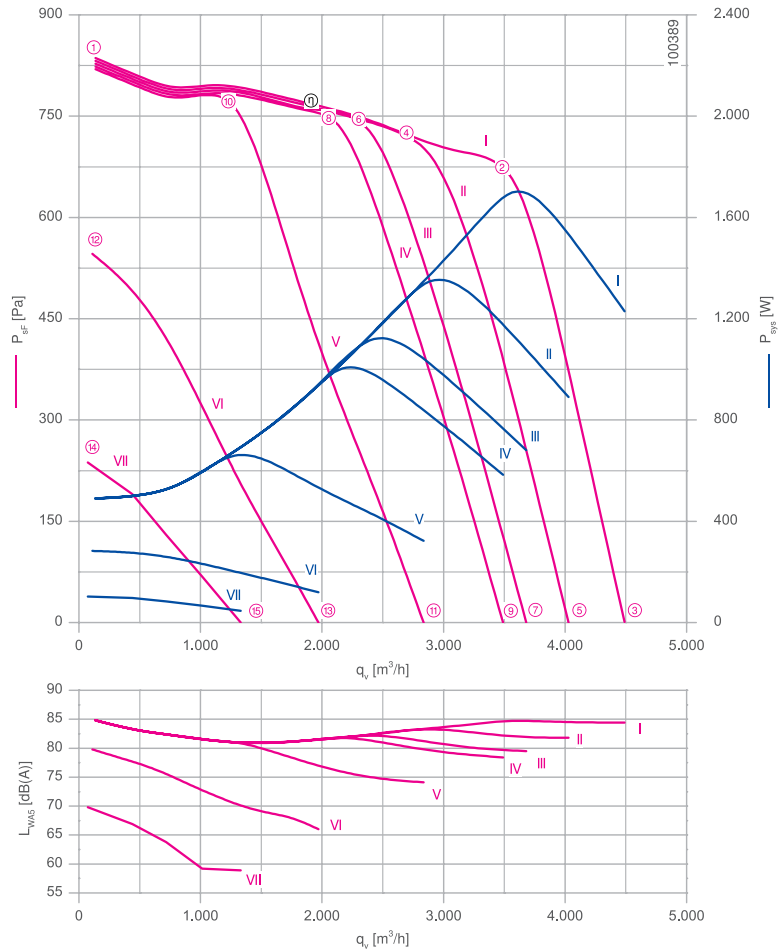
RG31R-ZIK



Description

Motor technology: EC
 Rated voltage U: **3-200-240 V***
 Rated frequency f: **50/60 Hz***
 Motor input power P: **1.75 kW***
 Rated current I: **5.20-4.40 A***
 Rated speed n: **1510 min⁻¹***
 Thermal class: **THCL155***
 Min. permitted ambient temperature t_{r1} : -20 °C
 Max. permitted ambient temperature t_{r2} at n_{max} : 40 °C
 Electrical connection: integrated Controller
 Number of blades : 38
 Balancing quality: G 6.3
 Protection class: IP54
 Motor protection: Integrated active temperature management
 Impeller : Galvanised sheet metal, uncoated
 Conformity: ErP 2015, CE
ErP-data
 Efficiency η_{statA} : 50.0 %
 Efficiency: $N_{actual} = 56.6 / N_{target} = 44^{**}$
 EC controller integrated
 *Rated data
 **ErP 2015

Characteristic curve

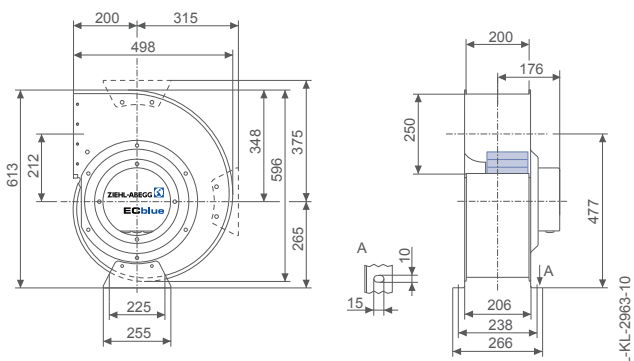


Measured with inlet ring, without guard grille according to ISO 5801

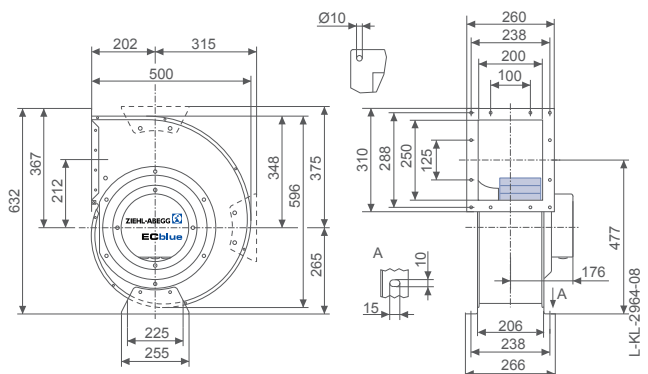
- Inlet ring 00411505 Page 264
- Connection diagram 1360-401 Page 366
- System components Page 262

Dimensions [mm]

Fan with housing, single inlet, without flange



Fan with housing, single inlet, with flange






Performance data

| Type | Characteristic curve | Speed | Speed | Operating point | Current | Motor input power | Suction side sound power level | Maximum ambient temperature |
|-----------------|----------------------|------------------------|-------|-----------------|---------|-------------------|--------------------------------|-----------------------------|
| | | n [min ⁻¹] | % | | | | | |
| RG31R-ZIK.DG.4R | I | 1510 | 100 | ① | 1.35 | 500 | 85 | 40 |
| | | 1510 | | ② | 4.60 | 1750 | 85 | |
| | | 1000 | | ③ | 3.30 | 1250 | 84 | |
| | II | 1510 | ④ | 3.60 | 1350 | 83 | 60 | |
| | | 910 | ⑤ | 2.40 | 900 | 82 | | |
| | III | 1510 | ⑥ | 3.00 | 1150 | 82 | | |
| | | 830 | ⑦ | 1.85 | 680 | 80 | | |
| | IV | 1510 | ⑧ | 2.70 | 1000 | 82 | | |
| | | 790 | ⑨ | 1.60 | 580 | 78 | | |
| | V | 1510 | ⑩ | 1.80 | 680 | 81 | | |
| | | 650 | ⑪ | 0.94 | 320 | 74 | | |
| | VI | 1230 | ⑫ | 0.86 | 280 | 80 | | |
| | | 460 | ⑬ | 0.48 | 120 | 66 | | |
| | VII | 820 | ⑭ | 0.44 | 100 | 70 | | |
| | | 310 | ⑮ | 0.27 | 46 | 59 | | |

Current values determined at 230V

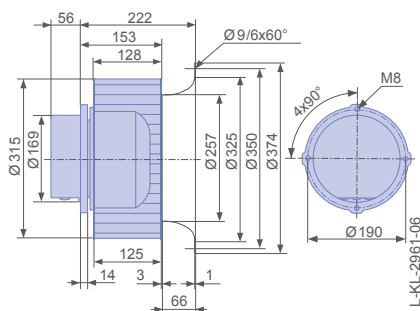
Fan ordering information

| Design | RG (without flange) | RG (with flange) | RE |
|---------------------------|---|---|---|
| Installation position | H | H | H/Vu/Vo |
| |  |  |  |
| Type | RG31R-ZIK.DG.4R | RG31R-ZIK.DG.4R | RE31P-ZIK.DG.1R |
| Article no. | 114937 | 114938 | 114930 |
| Weight [kg] | 22.00 | 22.00 | 10.80 |
| * Inlet ring not included | | | |

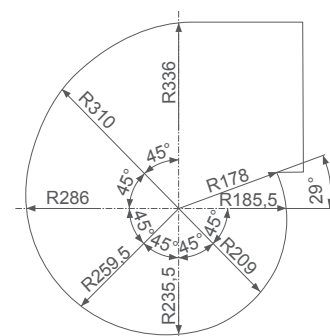
Control technology

| Control module | Operating terminal | Expansion module |
|---|---|---|
|  |  |  |
| ➤ Page 282 | ➤ Page 294 | ➤ Page 291 |

Motorised impeller



Used housing



RG..R-ECblue

for three phase alternating current, 380-480 V

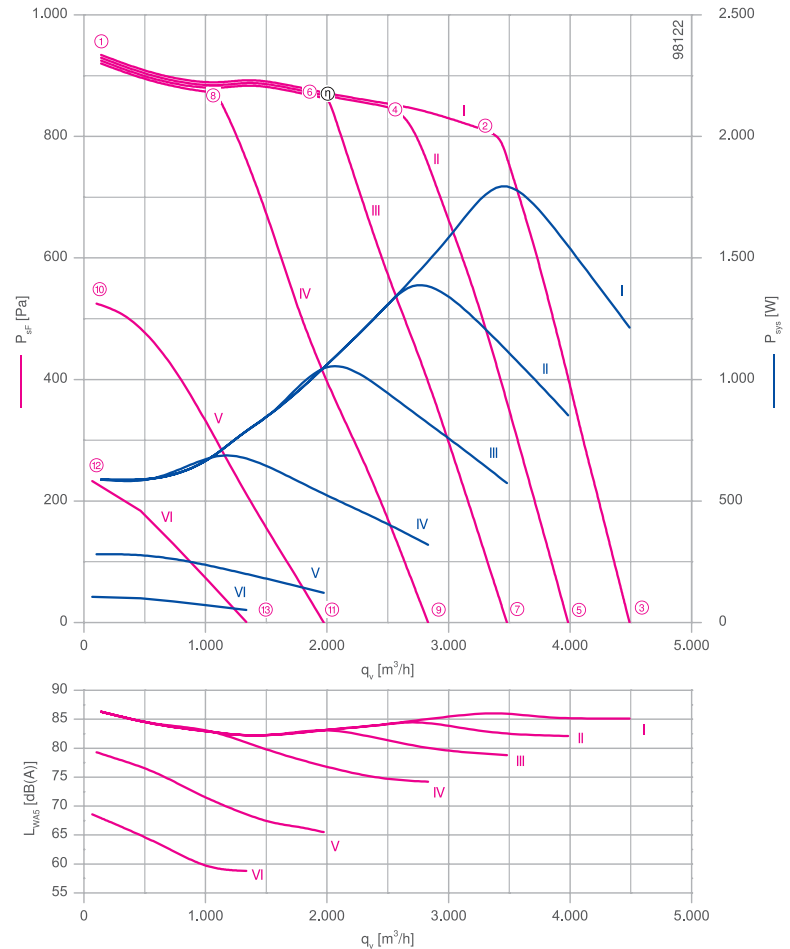
RG31R-ZIK



Description

Motor technology: EC
 Rated voltage U: **3-380-480 V***
 Rated frequency f: **50/60 Hz***
 Motor input power P: **1.80 kW***
 Rated current I: **3.00-2.30 A***
 Rated speed n: **1610 min⁻¹***
 Thermal class: **THCL155***
 Min. permitted ambient temperature t_{r1} : -20 °C
 Max. permitted ambient temperature t_{r2} at n_{max} : 40 °C
 Electrical connection: integrated Controller
 Number of blades : 38
 Balancing quality: G 6.3
 Protection class: IP54
 Motor protection: Integrated active temperature management
 Impeller : Galvanised sheet metal, uncoated
 Conformity: ErP 2015, CE
ErP-data
 Efficiency η_{statA} : 50.6 %
 Efficiency: $N_{actual} = 56.8 / N_{target} = 44^{**}$
 EC controller integrated
 *Rated data
 **ErP 2015

Characteristic curve

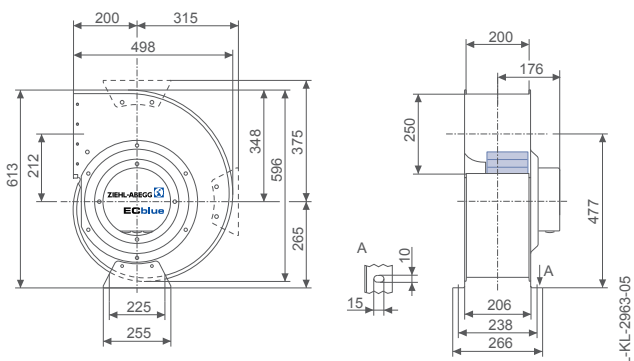


Measured with inlet ring, without guard grille according to ISO 5801

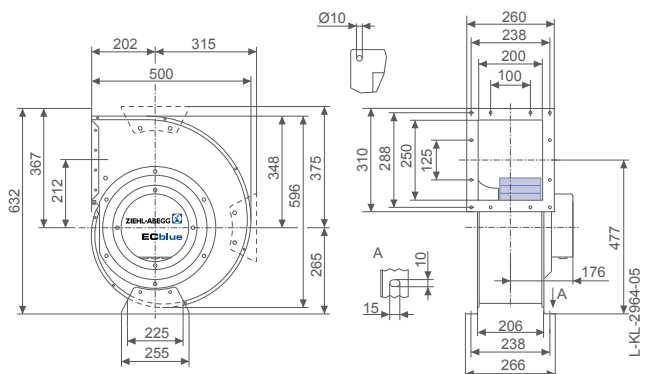
- Inlet ring 00411505 Page 264
- Connection diagram 1360-401 Page 366
- System components Page 262

Dimensions [mm]

Fan with housing, single inlet, without flange



Fan with housing, single inlet, with flange






Performance data

| Type | Characteristic curve | Speed | Speed | Operating point | Current | Motor input power | Suction side sound power level | Maximum ambient temperature |
|-----------------|----------------------|------------------------|-------|-----------------|---------|-------------------|--------------------------------|-----------------------------|
| | | n [min ⁻¹] | % | | | | | |
| RG31R-ZIK.DG.4R | I | 1610 | 100 | ① | 1.05 | 580 | 86 | 40 |
| | | 1610 | | ② | 2.80 | 1800 | 86 | |
| | | 990 | | ③ | 1.90 | 1200 | 85 | |
| | II | 1610 | 80 | ④ | 2.20 | 1400 | 85 | 60 |
| | | 890 | | ⑤ | 1.40 | 860 | 82 | |
| | III | 1610 | 100 | ⑥ | 1.70 | 1050 | 83 | |
| | | 790 | | ⑦ | 1.05 | 580 | 79 | |
| | IV | 1610 | 100 | ⑧ | 1.20 | 700 | 83 | |
| | | 640 | | ⑨ | 0.70 | 320 | 74 | |
| | V | 1220 | 80 | ⑩ | 0.64 | 280 | 79 | |
| | | 460 | | ⑪ | 0.37 | 120 | 66 | |
| | VI | 820 | 50 | ⑫ | 0.34 | 110 | 69 | |
| | | 320 | | ⑬ | 0.24 | 50 | 59 | |

Current values determined at 400V

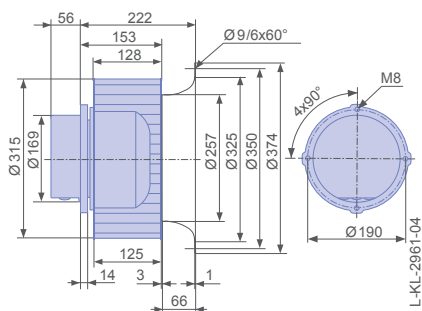
Fan ordering information

| Design | RG (without flange) | RG (with flange) | RE |
|---------------------------|---|---|---|
| Installation position | H | H | H/Vu/Vo |
| |  |  |  |
| Type | RG31R-ZIK.DG.4R | RG31R-ZIK.DG.4R | RE31P-ZIK.DG.1R |
| Article no. | 114797 | 114798 | 114786 |
| Weight [kg] | 22.00 | 22.00 | 10.80 |
| * Inlet ring not included | | | |

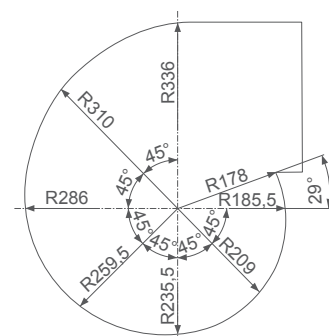
Control technology

| Control module | Operating terminal | Expansion module |
|---|---|---|
|  |  |  |
| ➔ Page 282 | ➔ Page 294 | ➔ Page 291 |

Motorised impeller



Used housing



RG..R-ECblue

for three phase alternating current, 200-240 V

RG31R-ZIK

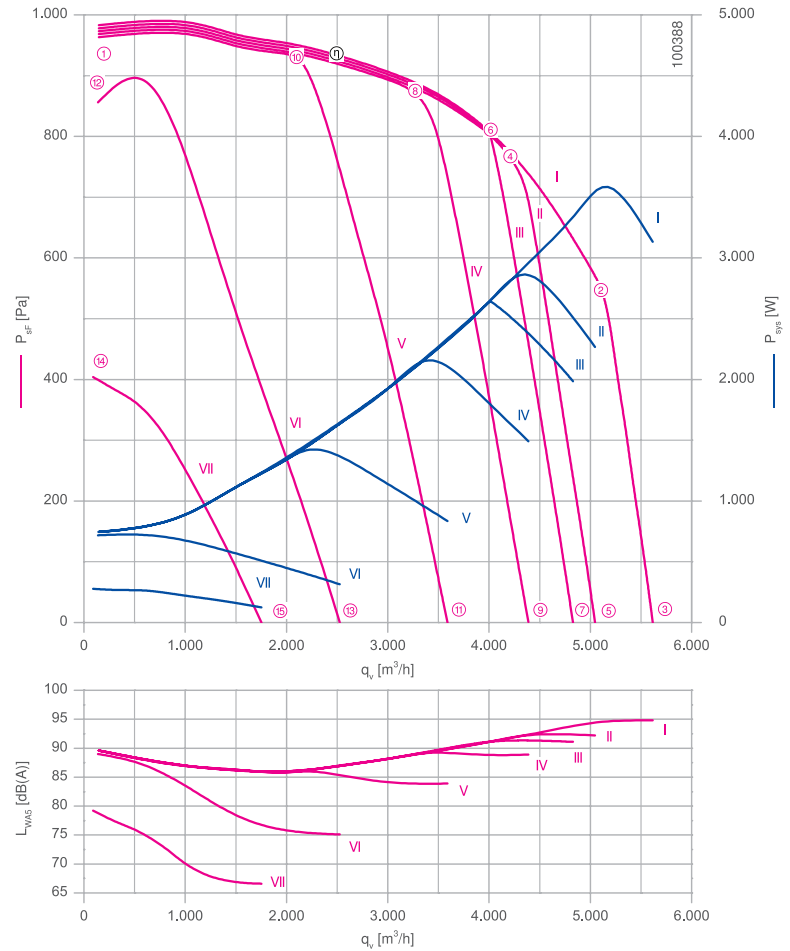


Description

Motor technology: EC
 Rated voltage U: **3-200-240 V***
 Rated frequency f: **50/60 Hz***
 Motor input power P: **3.60 kW***
 Rated current I: **11.50-9.60 A***
 Rated speed n: **1800 min⁻¹***
 Thermal class: **THCL155***
 Min. permitted ambient temperature $t_{r, \text{min}}$: -20 °C
 Max. permitted ambient temperature $t_{r, \text{max}}$: 40 °C
 Electrical connection: integrated Controller
 Number of blades : 38
 Balancing quality: G 6.3
 Protection class: IP54
 Motor protection: Integrated active temperature management
 Impeller : Galvanised sheet metal, uncoated
 Conformity: ErP 2015, CE

ErP-data
 Efficiency η_{statA} : 44.0 %
 Efficiency: $N_{\text{actual}} = 49.0 / N_{\text{target}} = 44^{**}$
 EC controller integrated
 *Rated data
 **ErP 2015

Characteristic curve

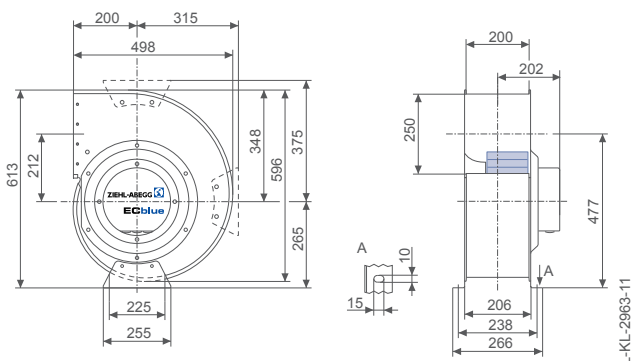


Measured with inlet ring, without guard grille according to ISO 5801

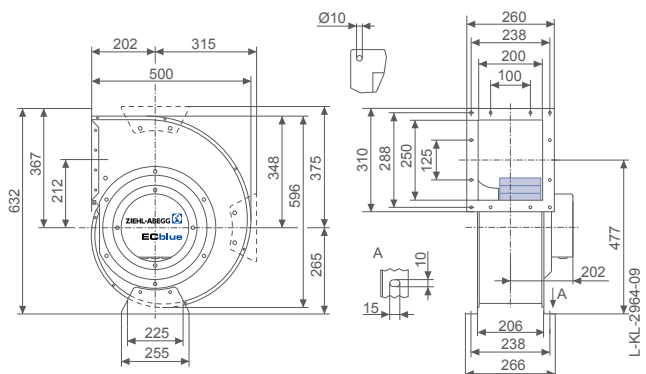
- Inlet ring 00411505 Page 264
- Connection diagram 1360-401 Page 366
- System components Page 262

Dimensions [mm]

Fan with housing, single inlet, without flange



Fan with housing, single inlet, with flange






Performance data

| Type | Characteristic curve | Speed | Speed | Operating point | Current | Motor input power | Suction side sound power level | Maximum ambient temperature |
|-----------------|----------------------|------------------------|-------|-----------------|---------|-------------------|--------------------------------|-----------------------------|
| | | n [min ⁻¹] | % | | | | | |
| RG31R-ZIK.GG.4R | I | 1800 | 100 | ① | 2.00 | 740 | 90 | 40 |
| | | 1800 | | ② | 10.00 | 3600 | 95 | |
| | | 1520 | | ③ | 9.40 | 3100 | 95 | |
| | II | 1800 | ④ | 8.00 | 2900 | 92 | 60 | |
| | | 1370 | ⑤ | 7.20 | 2300 | 92 | | |
| | III | 1800 | ⑥ | 7.20 | 2600 | 91 | | |
| | | 1310 | ⑦ | 6.60 | 2000 | 91 | | |
| | IV | 1800 | ⑧ | 5.80 | 2200 | 89 | | |
| | | 1190 | ⑨ | 4.00 | 1500 | 89 | | |
| | V | 1800 | ⑩ | 3.80 | 1450 | 86 | | |
| | | 980 | ⑪ | 2.30 | 840 | 84 | | |
| | VI | 1780 | ⑫ | 2.00 | 720 | 89 | | |
| | | 700 | ⑬ | 0.94 | 310 | 75 | | |
| | VII | 1200 | ⑭ | 0.86 | 280 | 79 | | |
| | | 490 | ⑮ | 0.52 | 120 | 67 | | |

Current values determined at 230V

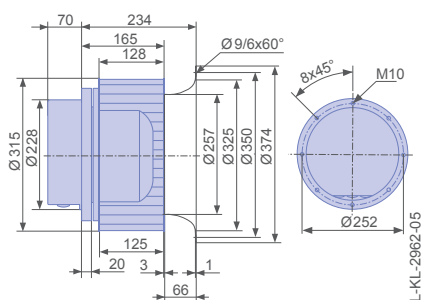
Fan ordering information

| Design | RG (without flange) | RG (with flange) | RE |
|---------------------------|---|---|---|
| Installation position | H | H | H/Vu/Vo |
| |  |  |  |
| Type | RG31R-ZIK.GG.4R | RG31R-ZIK.GG.4R | RE31P-ZIK.GG.1R |
| Article no. | 114939 | 114940 | 114931 |
| Weight [kg] | 29.00 | 30.00 | 18.00 |
| * Inlet ring not included | | | |

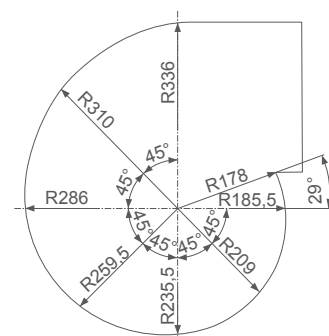
Control technology

| Control module | Operating terminal | Expansion module |
|---|---|---|
|  |  |  |
| ➤ Page 282 | ➤ Page 294 | ➤ Page 291 |

Motorised impeller



Used housing



RG..R-ECblue

for three phase alternating current, 380-480 V

RG31R-ZIK

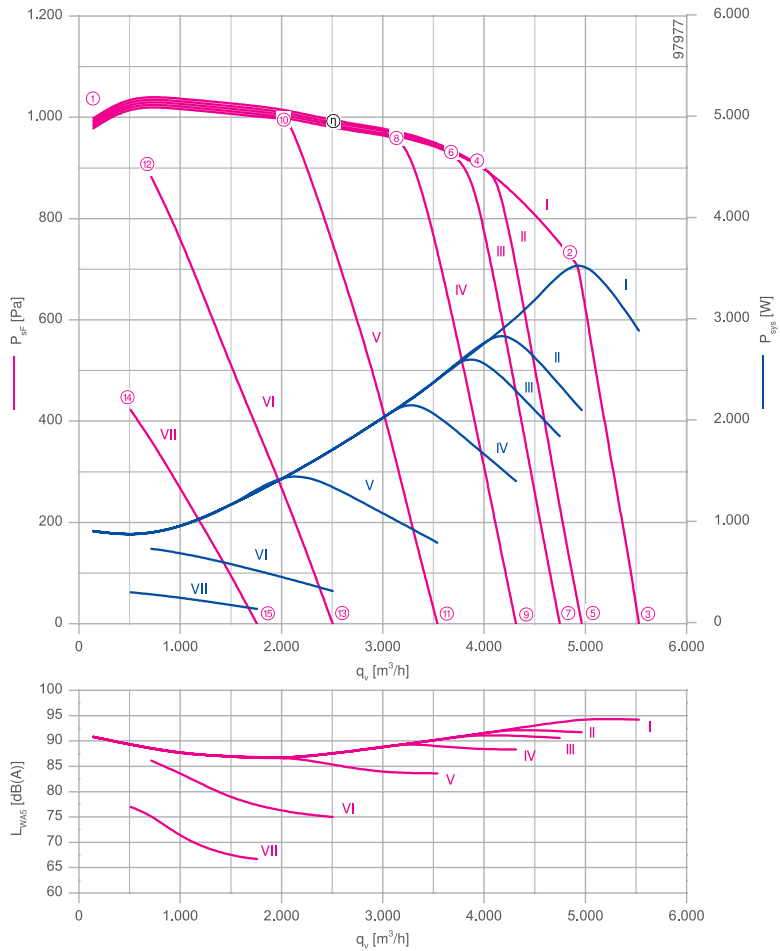


Description

Motor technology: EC
 Rated voltage U: **3-380-480 V***
 Rated frequency f: **50/60 Hz***
 Motor input power P: **3.60 kW***
 Rated current I: **5.80-4.60 A***
 Rated speed n: **1850 min⁻¹***
 Thermal class: **THCL155***
 Min. permitted ambient temperature t_{r1} : -20 °C
 Max. permitted ambient temperature t_{r2} at n_{max} : 40 °C
 Electrical connection: integrated Controller
 Number of blades : 38
 Balancing quality: G 6.3
 Protection class: IP54
 Motor protection: Integrated active temperature management
 Impeller : Galvanised sheet metal, uncoated
 Conformity: ErP 2015, CE

ErP-data
 Efficiency η_{statA} : 44.5 %
 Efficiency: $N_{actual} = 49.3 / N_{target} = 44^{**}$
 EC controller integrated
 *Rated data
 **ErP 2015

Characteristic curve

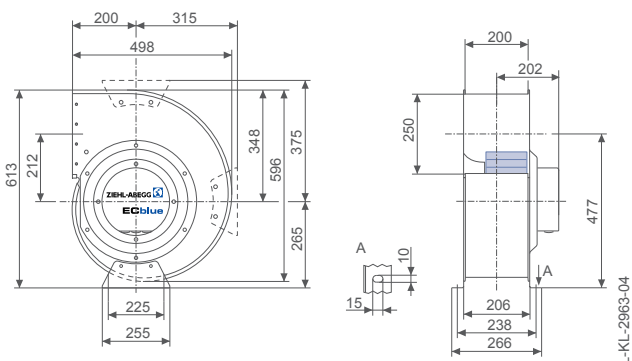


Measured with inlet ring, without guard grille according to ISO 5801

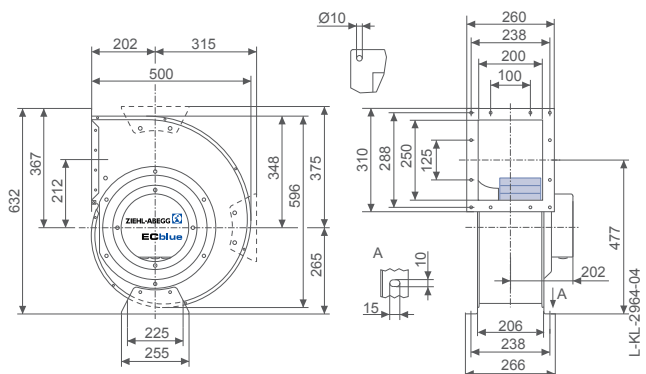
- Inlet ring 00411505 Page 264
- Connection diagram 1360-401 Page 366
- System components Page 262

Dimensions [mm]

Fan with housing, single inlet, without flange



Fan with housing, single inlet, with flange






Performance data

| Type | Characteristic curve | Speed | Speed | Operating point | Current | Motor input power | Suction side sound power level | Maximum ambient temperature |
|-----------------|----------------------|------------------------|-------|-----------------|---------|-------------------|--------------------------------|-----------------------------|
| | | n [min ⁻¹] | % | | | | | |
| RG31R-ZIK.GG.4R | I | 1850 | 100 | ① | 1.50 | 900 | 91 | 40 |
| | | 1850 | | ② | 5.40 | 3600 | 94 | |
| | | 1850 | | ③ | 4.40 | 2900 | 94 | |
| | II | 1850 | 80 | ④ | 4.40 | 2900 | 92 | 60 |
| | | 1320 | | ⑤ | 3.20 | 2100 | 92 | |
| | III | 1850 | 100 | ⑥ | 4.00 | 2600 | 91 | |
| | | 1260 | | ⑦ | 2.80 | 1850 | 91 | |
| | IV | 1850 | 100 | ⑧ | 3.40 | 2200 | 89 | |
| | | 1160 | | ⑨ | 2.20 | 1400 | 88 | |
| | V | 1850 | 100 | ⑩ | 2.30 | 1450 | 87 | |
| | | 950 | | ⑪ | 1.35 | 780 | 84 | |
| | VI | 1710 | 90 | ⑫ | 1.25 | 720 | 86 | |
| | | 1850 | | ⑬ | 0.70 | 310 | 75 | |
| | VII | 1200 | 60 | ⑭ | 0.68 | 300 | 77 | |
| | | 490 | | ⑮ | 0.39 | 130 | 67 | |

Current values determined at 400V

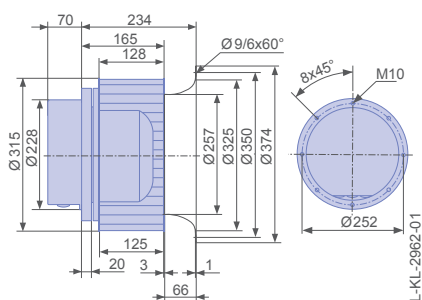
Fan ordering information

| Design | RG (without flange) | RG (with flange) | RE |
|---------------------------|---|---|---|
| Installation position | H | H | H/Vu/Vo |
| |  |  |  |
| Type | RG31R-ZIK.GG.4R | RG31R-ZIK.GG.4R | RE31P-ZIK.GG.1R |
| Article no. | 114799 | 114800 | 114787 |
| Weight [kg] | 29.00 | 30.00 | 18.00 |
| * Inlet ring not included | | | |

Control technology

| Control module | Operating terminal | Expansion module |
|---|---|---|
|  |  |  |
| ➤ Page 282 | ➤ Page 294 | ➤ Page 291 |

Motorised impeller



Used housing

